

Series VSC[®] & VSCS[®]

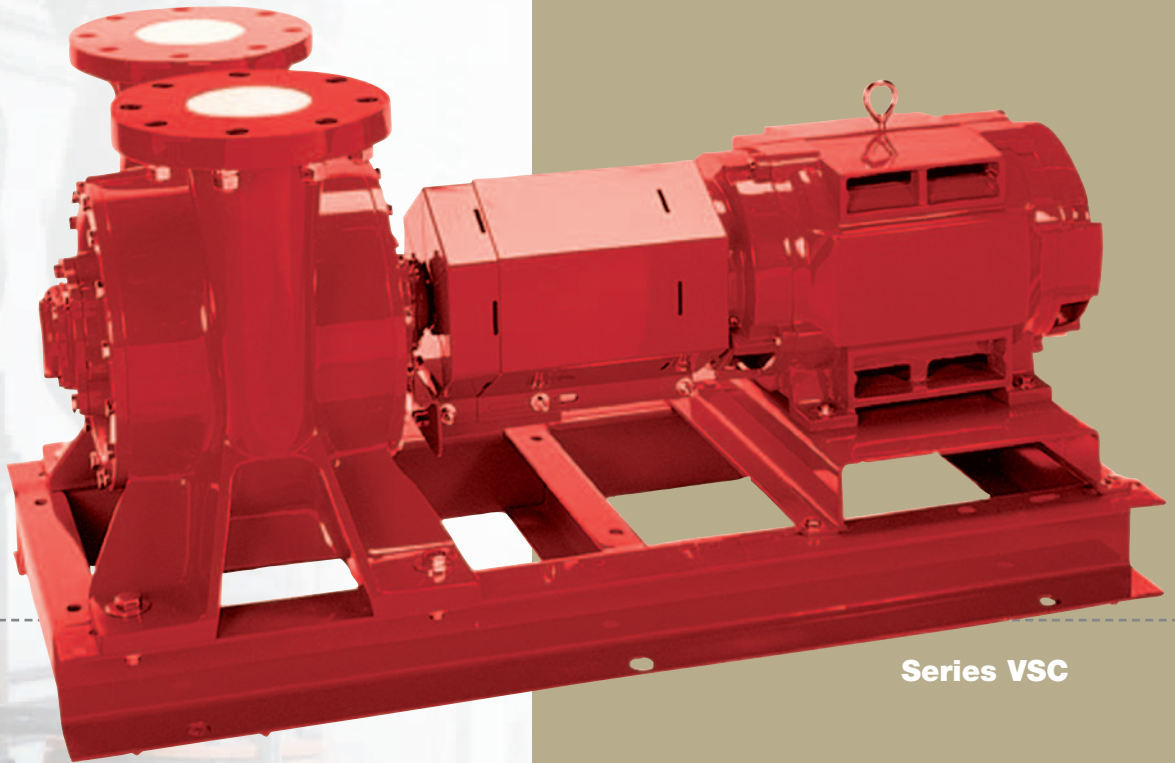
DOUBLE-SUCTION CENTRIFUGAL PUMPS

B-400F

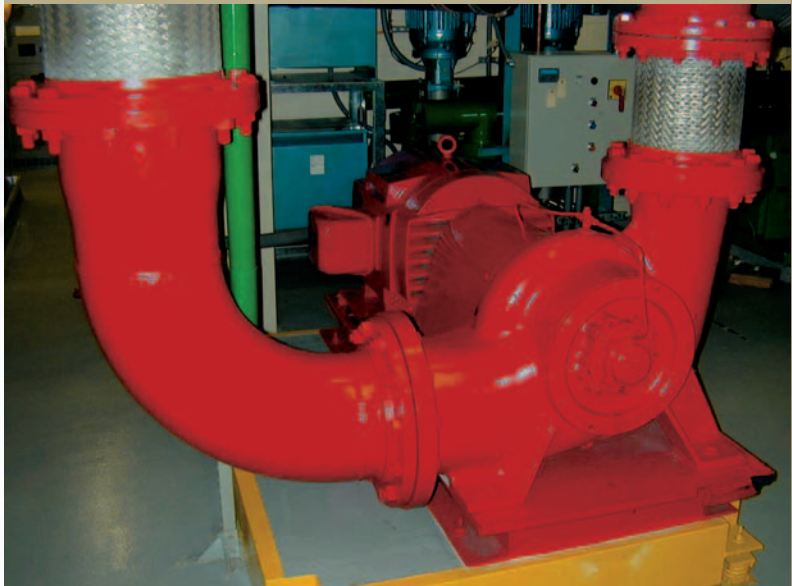
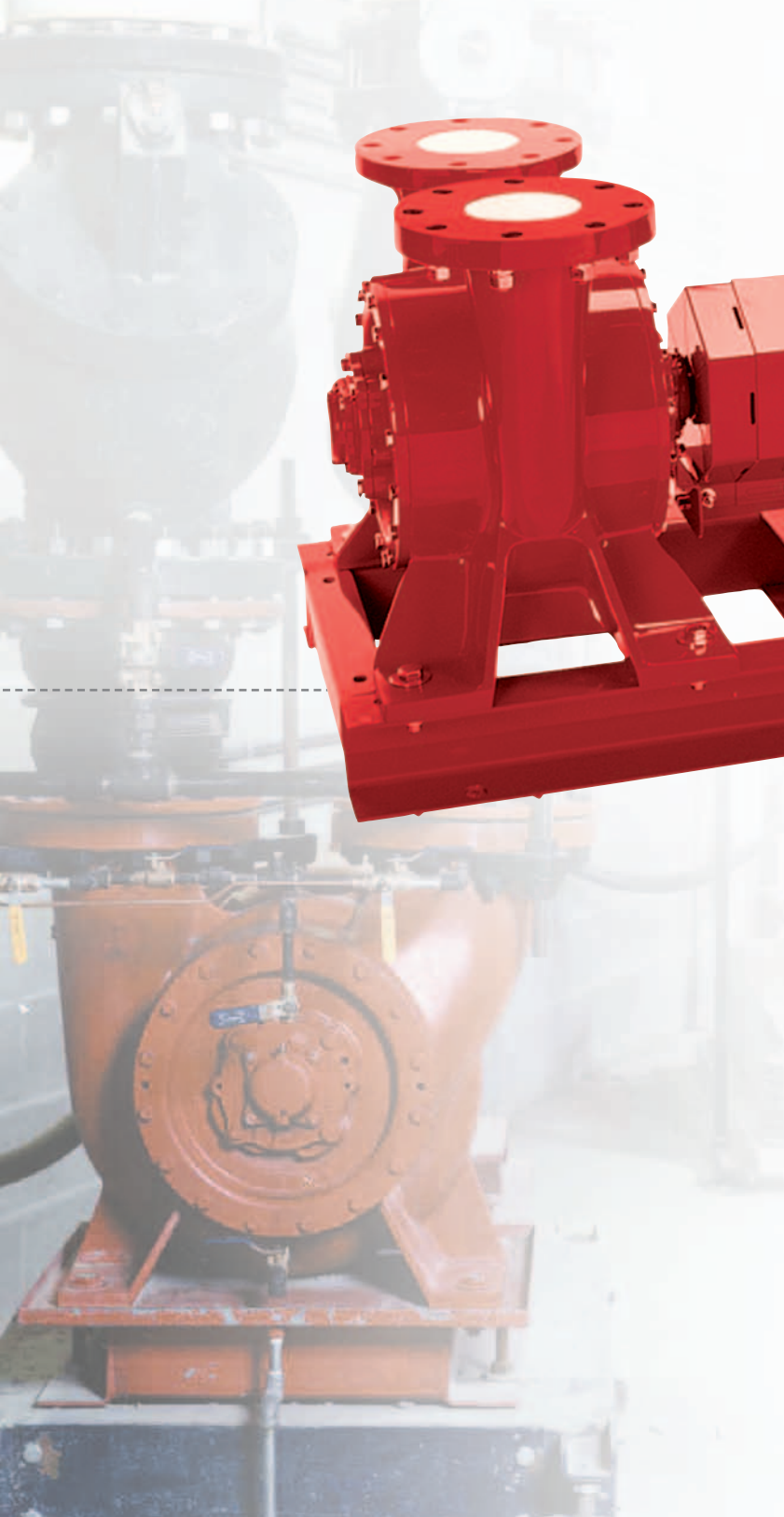
 **Bell & Gossett**
a xylem brand

Series VSC & VSCS

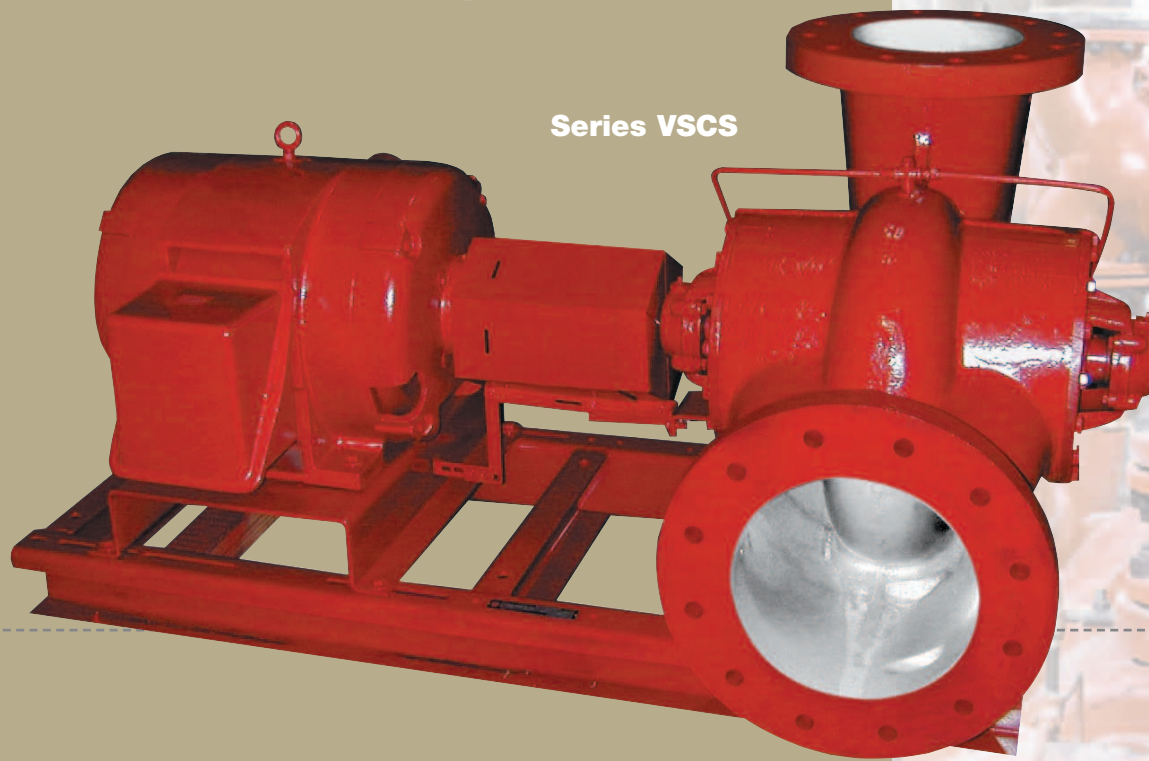
Differere
by



Series VSC



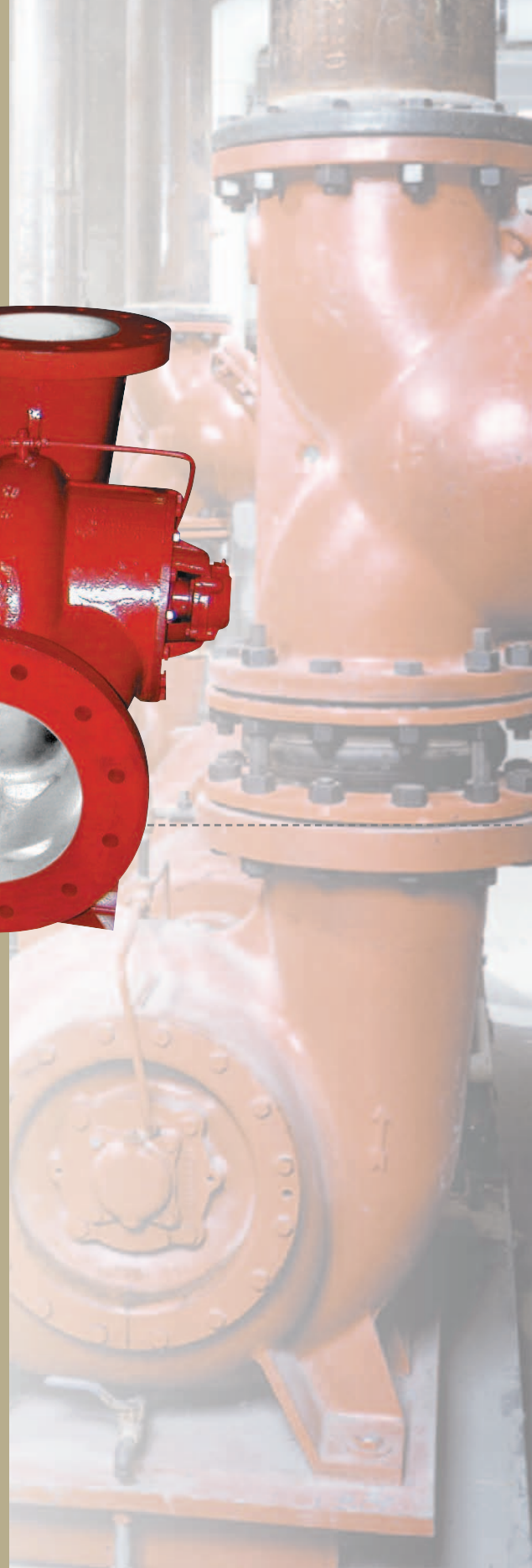
nt Design.



Series VSCS

Vertical split-case pumps
offering extraordinary...

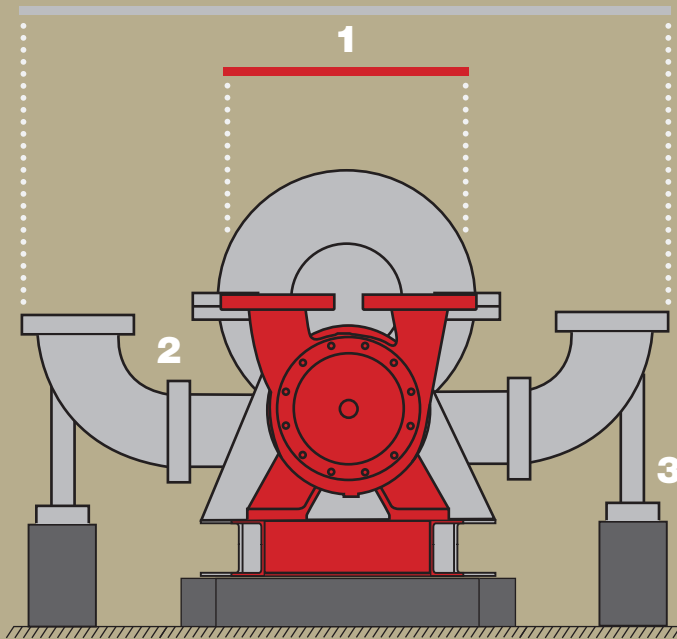
floorspace savings
performance
durability
ease-of-maintenance



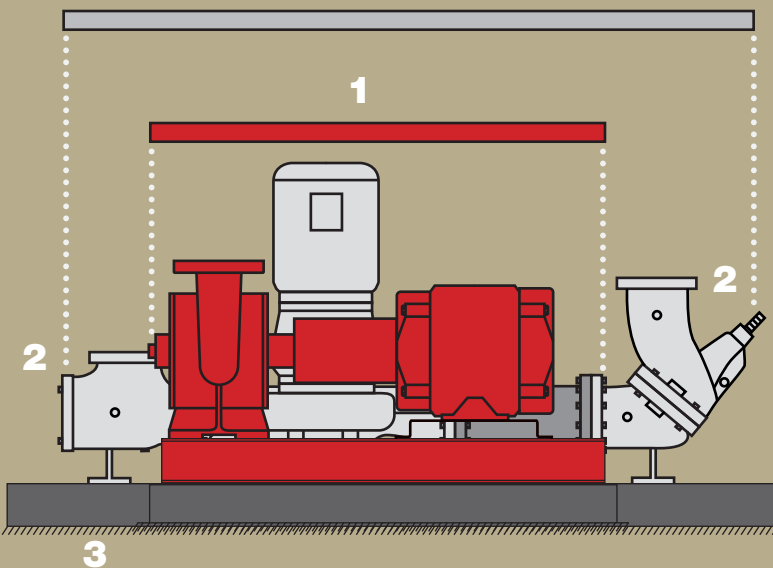
Compare for yourself

- Bell & Gossett VSC
- Conventional pump

1. Space-saving
2. No space-robbing elbows or accessories that protrude
3. No pipe supports



VSC versus traditional split-case pump



VSC versus traditional vertical inline pump

Different by Design

Pumps designed to conserve floorspace

Standard horizontal split-case and large vertical in-line pumps waste expensive floorspace.

Not so with our VSC/VSCS. The VSC (vertical split case) and VSCS (vertical split-case side suction) pumps are designed so they won't put the bite on your valuable square footage.

VSC/VSCS pumps can reduce installed floor area by 50 percent. That means savings up to \$115 per square foot in installation costs.

Plus, the pumps optimize the advantages of vertical piping applications by eliminating that tangle of elbows, accessories, and supports.

The Series VSC & VSCS pumps fit superbly, even in very tight spaces.





Standout performance and long pump life

Saving space is only part of the VSC/VSCS story. These pumps are also built to perform. And to last.

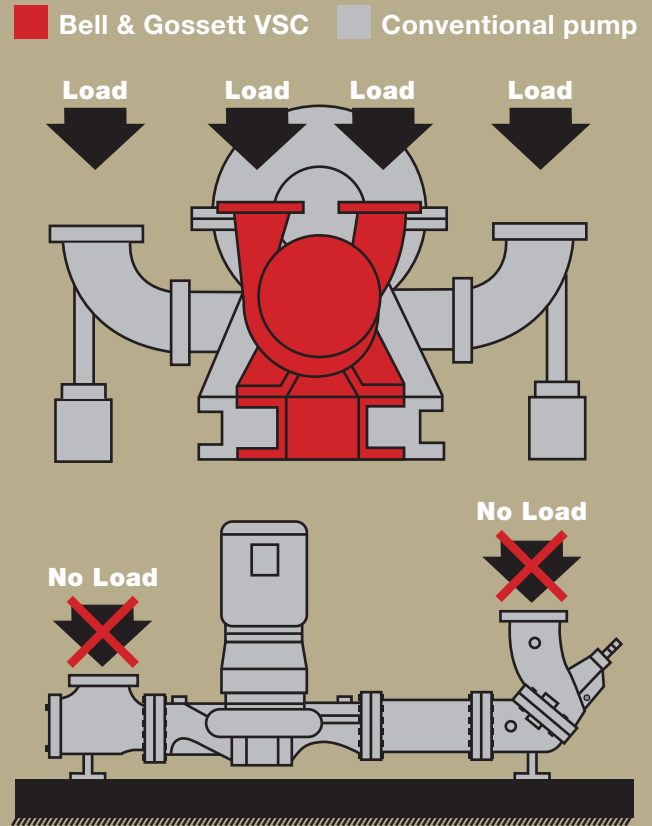
The vertically split volute design, for example, provides optimum nozzle-loading efficiency. The pump easily supports the weight of heavy piping directly on its nozzles since it packs the mass directly under the loads – right where it's needed most.

And talk about rugged durability. VSC/VSCS pumps feature internal self-flushing seals, thereby shortening the shaft span between bearings. This innovative design sharply reduces shaft deflection, which greatly extends seal, shaft, and pump life.

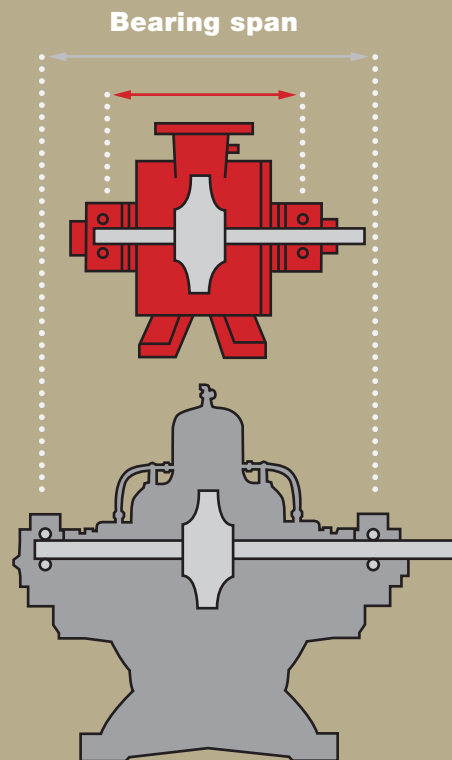
What's more, our balanced impeller reduces bearing wear and ensures smooth, quiet performance throughout the pump's capacity range.

VSC/VSCS quality construction contributes to long pump life. The threat of corrosion is significantly lessened by the use of an 18-8 stainless steel shaft. VSC/VSCS pumps also come standard with bronze impellers to further ensure trouble-free performance.

Extraordinary performance for the long-term from an out-of-the-ordinary pump.



Optimum nozzle-loading efficiency. Separate supports are required for the horizontally split-case and vertical in-line pumps.



Shorter bearing span of the VSC/VSCS design reduces shaft deflection for longer pump life.

Dependable vertical split-case pump construction

Bearing housing: radial and thrust
(cast iron)

Bearing: radial and thrust
(regreasable)

Bearing cover: radial and thrust
(cast iron)

Gaskets
(cellulose fiber)

Mechanical seal: standard
(carbon/ceramic)

Volute with integral feet
(cast iron)

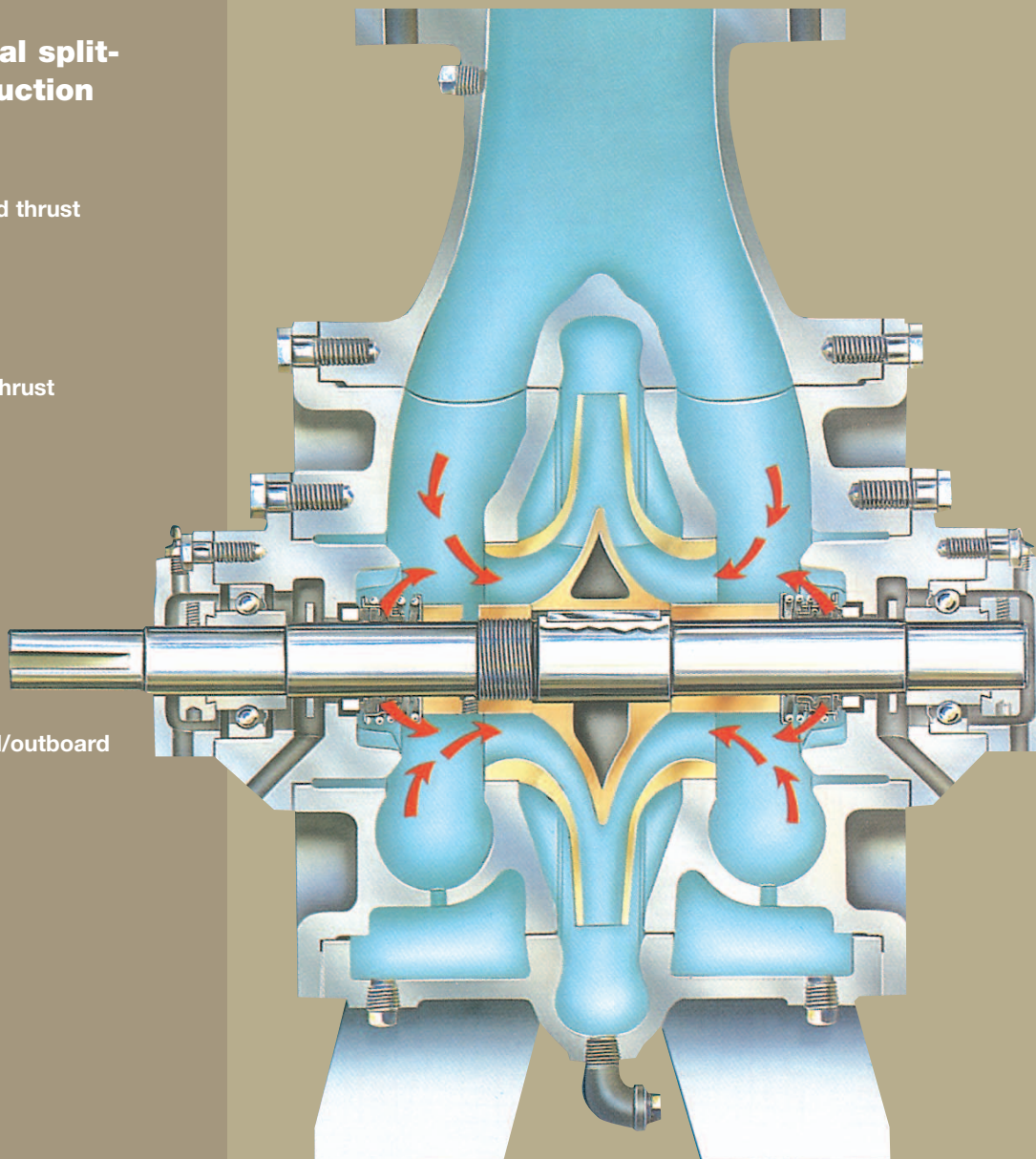
Volute cover plate: inboard/outboard
(cast iron)

Impeller
(bronze)

Shaft
(18-8 stainless)

Shaft collar
(bronze)

Impeller nut
(bronze)



Standard Seal Configuration

The standard for rugged durability

Bell & Gossett self flushing mechanical seals, an industry standard, ensure maximum seal face lubrication, heat dissipation and debris removal without vulnerable, external flush tubing. As much as 25 percent of the total pump flow continuously flushes seals compared to a few GPM for conventional, stuffing-box mounted seals.

Many optional materials and construction features are available. Consult your Bell & Gossett representative.



Different by Design

Pumps that are simply serviceable

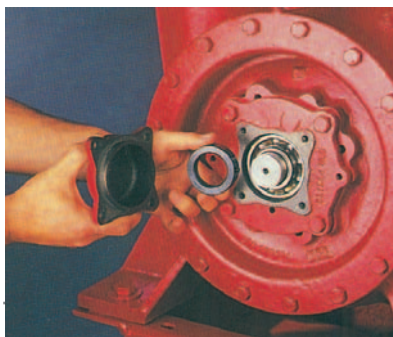
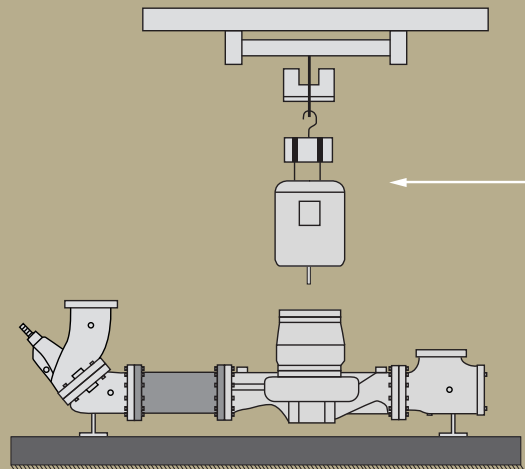
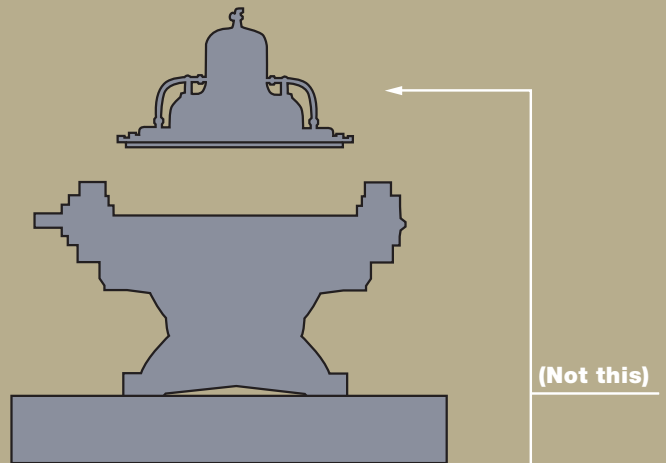
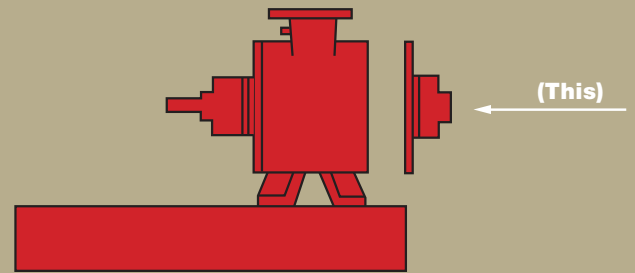
There's a lot to be said for simplicity. In terms of maintenance access, Bell & Gossett says it loud and clear with its vertical split-case pump design.

No rigging or heavy-duty material handling equipment is required for servicing wetted components. Our radial split-case design affords easy access to the rotating assembly. The expensive, time-consuming process of removing the upper half of the pump casing is eliminated.

Bearing inspection or replacement is a snap, thanks to a flexible center dropout coupling that allows the bearing housing to be easily removed, making the mechanical seal readily accessible.

With this design, you never have to worry about disturbing the piping or the motor. This care-free servicing feature is standard on all Bell & Gossett pumps.

Simply put, the Series VSC & VSCS save time and money.



Bearing inspection or replacement is a snap.

With the bearing housing removed you gain easy access to the removable mechanical seal.

Unsurpassed Bell & Gossett support

The Bell & Gossett name on the Series VSC & VSCS pumps is your assurance of the highest quality backed by uncompromising support.

For us, customer service excellence is a 88-year tradition built upon innovation.

Your local Bell & Gossett representative is an experienced professional with a wealth of technical expertise available at your call. In addition to expert system and product application assistance and a wide product inventory warehoused locally, we offer our award-winning ESP-PLUS software selection program.

ESP-PLUS is a special set of Bell & Gossett software that turns your personal computer into an electronic catalog. With the stroke of a few keys you enter specifications. The system then calculates the requirements and selects the optimum pump for your needs.

It's fast. It's easy. And it's yours exclusively from Bell & Gossett.



With more than 88 years' experience as an industry leader, we know how to design, build, and support centrifugal pumps. Our hallmarks are excellence and dependability.

Pump us for information

Our comprehensive Web site (www.xylem.com/brands/bellgossett) makes it easier for you to find, specify and understand VSC & VSCS pumps, fluid handling systems, parts, specifications and applications.



Xylem, Inc.
8200 N. Austin Avenue
Morton Grove, Illinois 60053
Phone: (847) 966-3700
Fax: (847) 965-8379
www.xylem.com/brands/bellgossett

Bell & Gossett is a trademark of Xylem Inc. or one of its subsidiaries.
© 2012 Xylem Inc. B-400F 2004